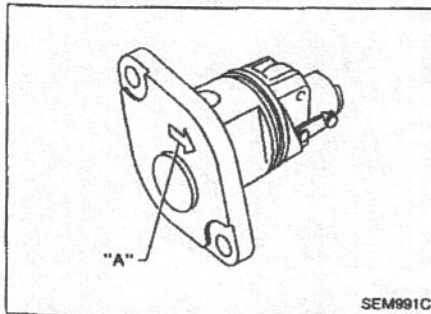
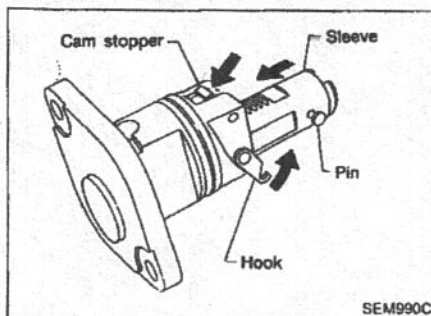
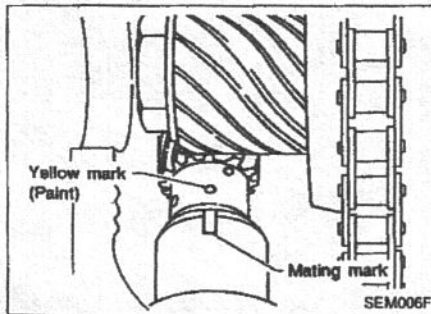
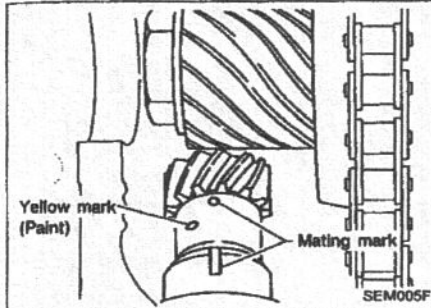
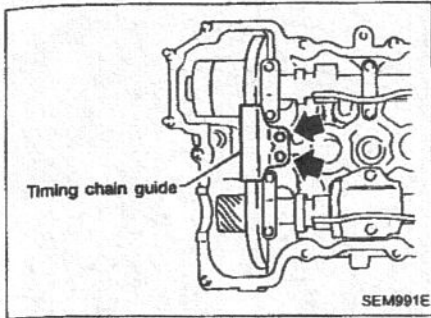


TIMING CHAIN

Installation (Cont'd)

17. Install timing chain guide.



18. Install camshaft position sensor.

- Make sure that No. 1 piston is at TDC on its compression stroke.
- Set mating marks on rotor shaft of camshaft position sensor as shown.

c. Install camshaft position sensor aligning the center of fixing bolt hole.

- After installing, confirm that mating marks on rotor shaft of camshaft position sensor are as shown.

d. Tighten fixing bolts.

19. Install chain tensioner.

Press cam stopper down and "press-in" sleeve until hook can be engaged on pin. When tensioner is bolted in position the hook will release automatically. Ensure arrow "A" faces the front of the engine.

GI

MA

EM

LC

EC

FE

CL

MT

AT

PD

FA

RA

RR

ST

RS

BT

HA

EL

DX